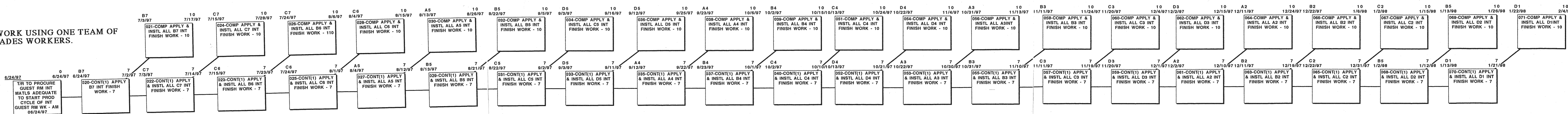


**PLAN OF WORK USING ONE TEAM OF FINISH TRADES WORKERS.**



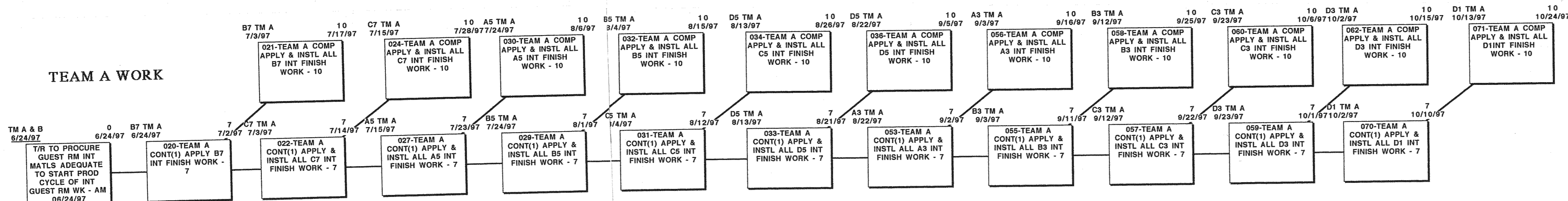
Guest room interior work sequence as of 10/18/96

- B2 to B3 to B4 to B5 to B6 to B7 for remainder of gyp board work. (up)
- B7 to C7 to B6 to C6 to A5 to B5 to C5 to D5 to A4 to B4 to C4 to D4 to A3 to B3 to C3 to A2 to B2 to C2 to D2 for remainder of interior finish work. (down)

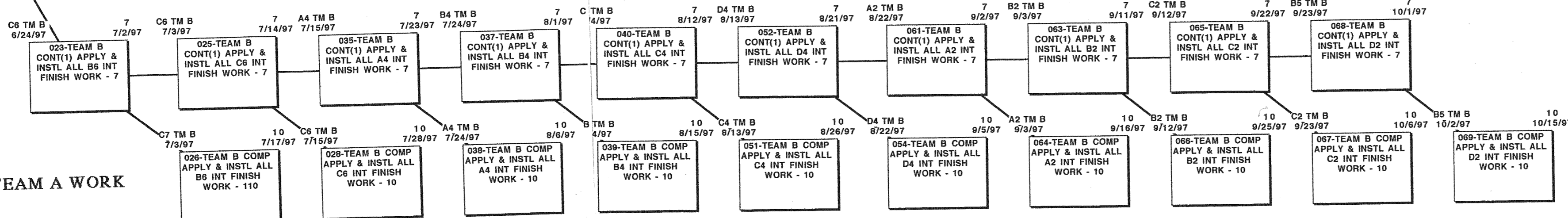
**PLAN OF WORK USING TWO TEAMS OF FINISH TRADES WORKERS.**

- TEAM A - FROM B7 - C7 - A5 - B5 - C5 - D5 - A3 - B3 - C3 - D3 - D1
- TEAM B - FROM B6 - C6 - A4 - B4 - C4 - D4 - A2 - B2 - C2 - D2

**TEAM A WORK**

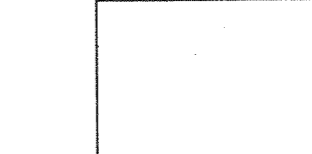


**TEAM A WORK**



Subtitle Earliest Start

Duration Earliest Finish



Issue #1 through 10 - not issued  
Issue #11 - October 15, 1996  
Issue #12 - October 19, 1996  
i12 sht SM1

SUMMARY MODEL FOR HOTEL INTERIOR WORK - FLOORS 2 THROUGH 7

**ACTIVITY KEY**

**NETWORK MODEL FOR SOARING EAGLE RESORT - Chippewa Indian Tribe of Michigan - Mt. Pleasant, Michigan**

Reserved Activity Numbers

|     |     |     |     |
|-----|-----|-----|-----|
| 041 | 046 | 091 | 096 |
| 042 | 047 | 092 | 097 |
| 043 | 048 | 093 | 098 |
| 044 | 049 | 094 | 099 |
| 045 | 050 | 095 | 100 |

LAN 001  
HAN ?

**Perini Building Company and Shingobee Builders Southfield, Michigan**

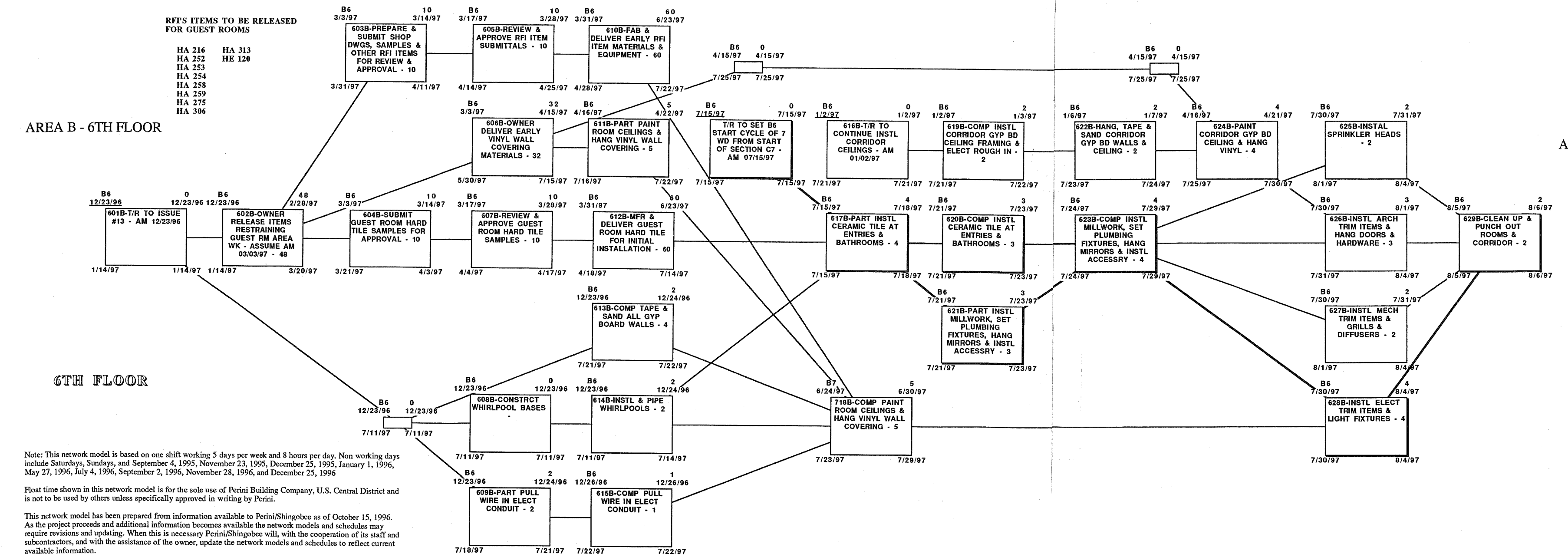
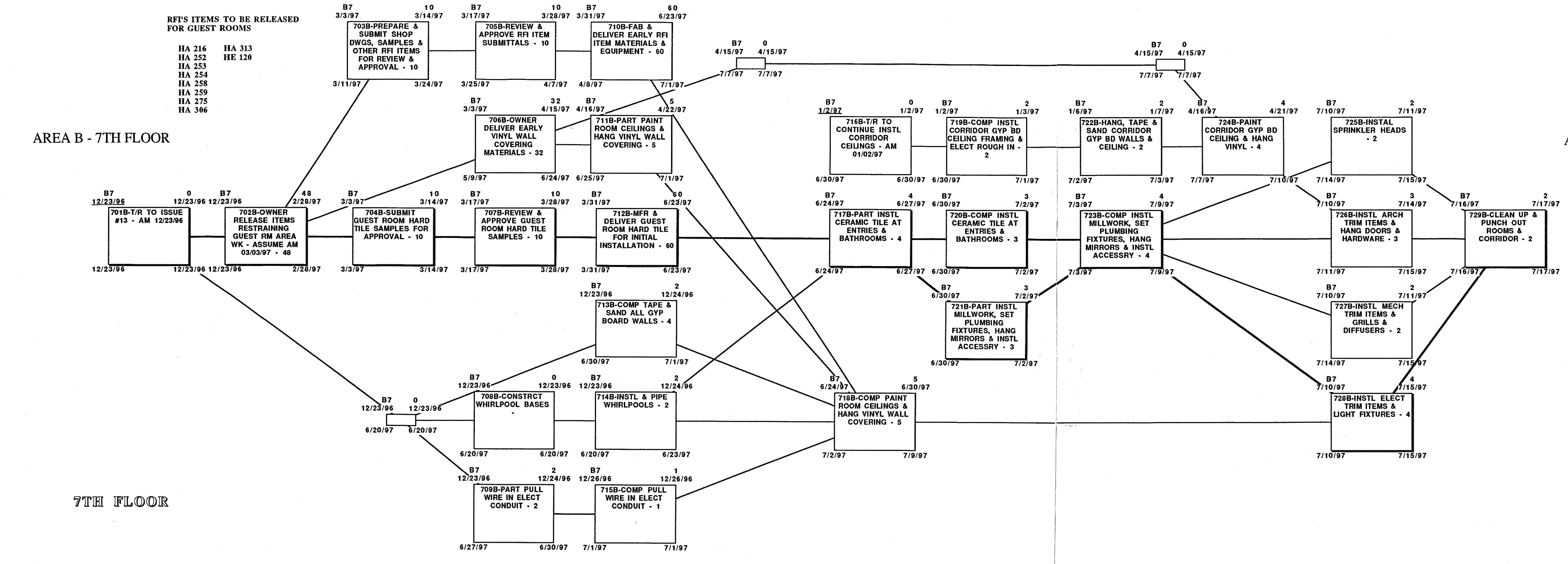
Ralph J. Stephenson, P.E., P.C.  
Consulting Engineer  
323 Hiawatha Drive  
Mt. Pleasant, Michigan, 48858  
ph 517 772 2537

**SHEET SM1**

Note: This network model is based on one shift working 5 days per week and 8 hours per day. Non working days include Saturdays, Sundays, and September 4, 1995, November 23, 1995, December 25, 1995, January 1, 1996, May 27, 1996, July 4, 1996, September 2, 1996, November 28, 1996, and December 25, 1996

Float time shown in this network model is for the sole use of Perini Building Company, U.S. Central District and is not to be used by others unless specifically approved in writing by Perini.

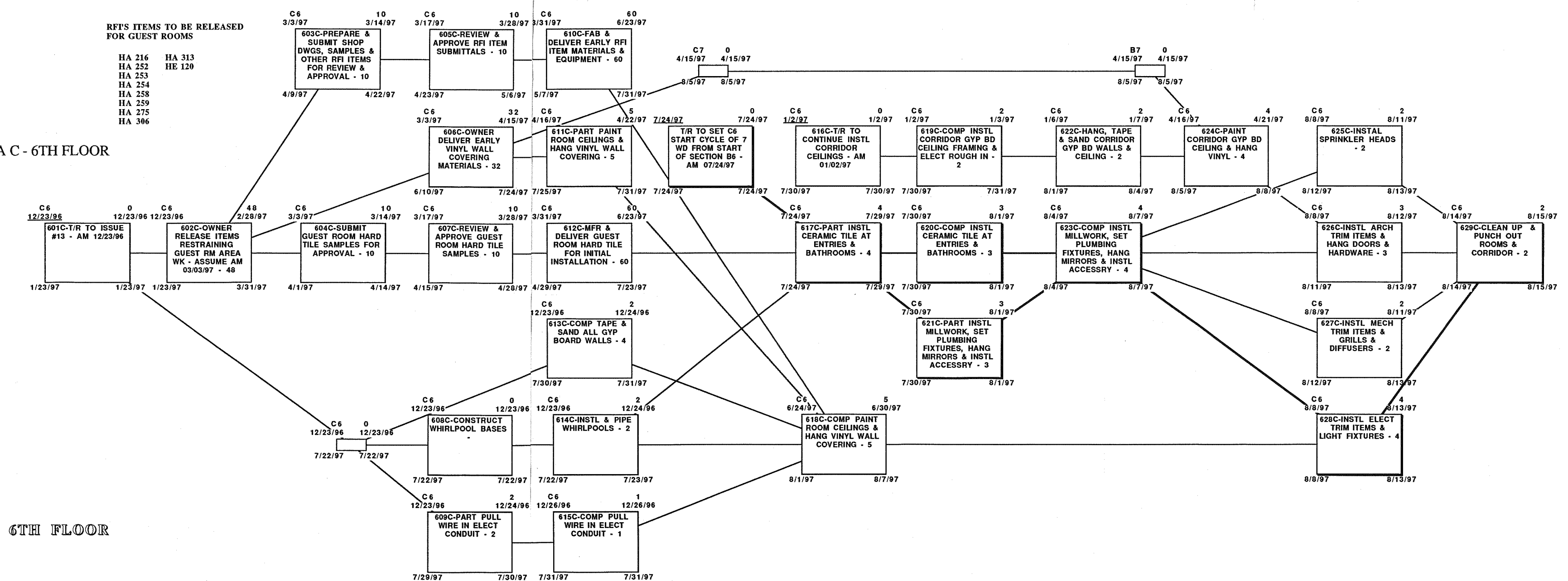
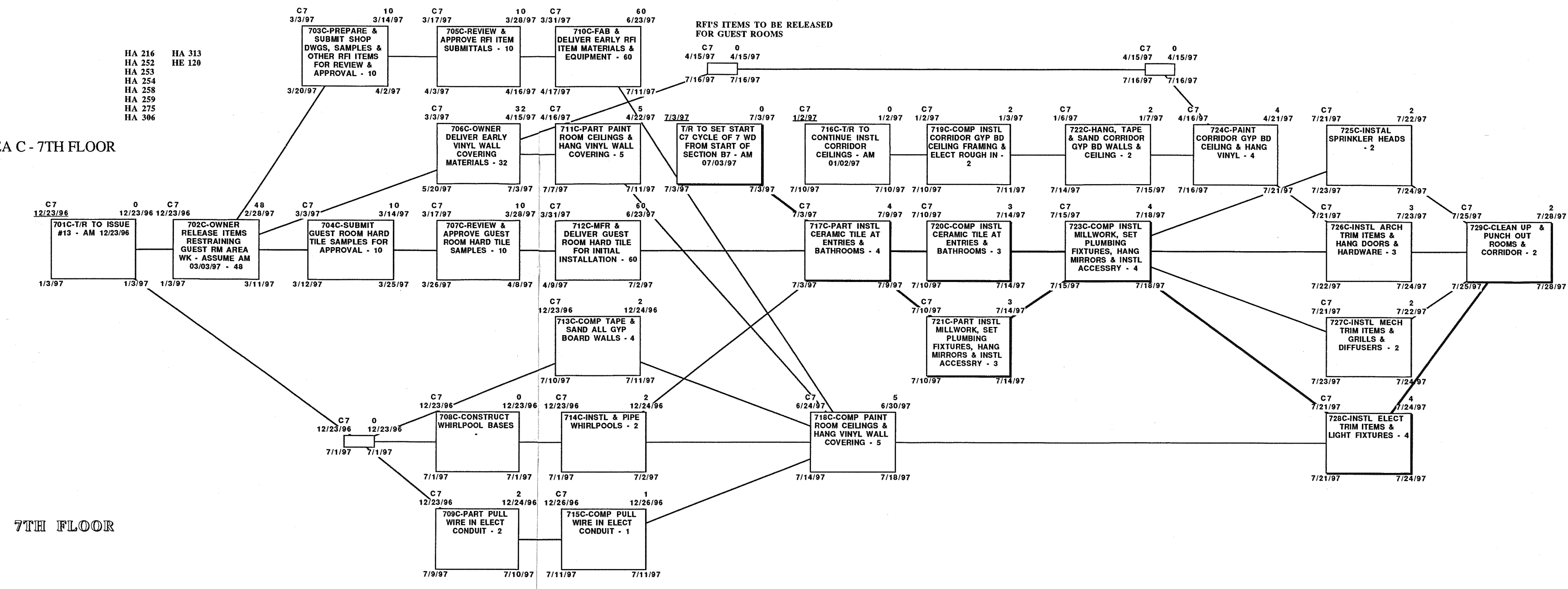
This network model has been prepared from information available to Perini/Shingobee as of October 15, 1996. As the project proceeds and additional information becomes available the network models and schedules may require revisions and updating. When this is necessary Perini/Shingobee will, with the cooperation of its staff and subcontractors, and with the assistance of the owner, update the network models and schedules to reflect current available information.



Note: This network model is based on one shift working 8 hours per week and 8 hours per day. Non working days include: Saturdays, Sundays, and September 4, 1995, November 23, 1996, December 25, 1995, January 1, 1996, May 27, 1996, July 4, 1996, September 2, 1996, November 28, 1996, and December 25, 1996.

From time shown in this network model is for the sole use of Perini Building Company, U.S. Central District and is not to be used by others unless specifically approved in writing by Perini.

This network model has been prepared from information available to Perini/Shingobee as of October 15, 1996. As the project proceeds and additional information becomes available the network models and schedules may require revisions and updating. When this is necessary Perini/Shingobee will, with the cooperation of the client and subcontractors, and with the assistance of the owner, update the network models and schedules to reflect current available information.

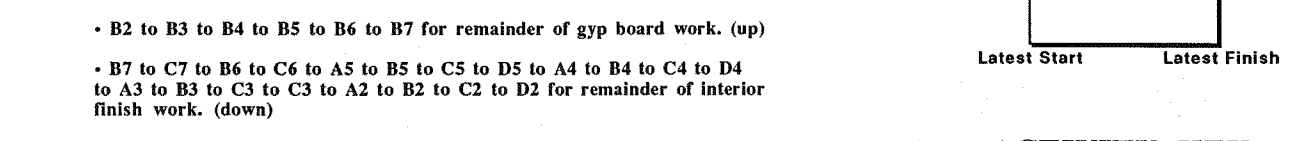


Note: This network model is based on one shift working 8 hours per week and 8 hours per day. Non working days include: Saturdays, Sundays, and September 4, 1995, November 23, 1996, December 25, 1995, January 1, 1996, May 27, 1996, July 4, 1996, September 2, 1996, November 28, 1996, and December 25, 1996.

From time shown in this network model is for the sole use of Perini Building Company, U.S. Central District and is not to be used by others unless specifically approved in writing by Perini.

This network model has been prepared from information available to Perini/Shingobee as of October 15, 1996. As the project proceeds and additional information becomes available the network models and schedules may require revisions and updating. When this is necessary Perini/Shingobee will, with the cooperation of the client and subcontractors, and with the assistance of the owner, update the network models and schedules to reflect current available information.

Guest room interior work sequence as of 10/18/96



- B2 to B3 to B4 to B5 to B6 to B7 for remainder of gyp board work. (up)
- B7 to C7 to B6 to C6 to A5 to B5 to C5 to D5 to A4 to B4 to C4 to D4 to A3 to B3 to C3 to A2 to B2 to C2 to D2 for remainder of interior finish work. (down)

ACTIVITY KEY

Issue #1 through 11 - not issued  
Issue #12 - October 18, 1996  
Issue #13 - December 28, 1996  
113 sheet #1

HOTEL DRY WALL WORK FOR GUEST FLOORS 7, 6, AND 5

NETWORK MODEL FOR SOARING EAGLE RESORT - Chippewa Indian Tribe of Michigan - Mt. Pleasant, Michigan

Perini Building Company and Shingobee Builders Southfield, Michigan

Ralph J. Stephenson, P.E., P.C. Consulting Engineer  
325 Hawatha Drive  
Mt. Pleasant, Michigan 48858  
ph 517 772 2537

LAN 001  
HAN 7  
Reserved Activity Numbers

SHEET #1