

MONITORING RECORD			ISSUE RECORD	
DATE	DATE	DATE	ISSUE No.	DATE
			1	AUG 7, 84
			2	OCT 25, 84

84-26

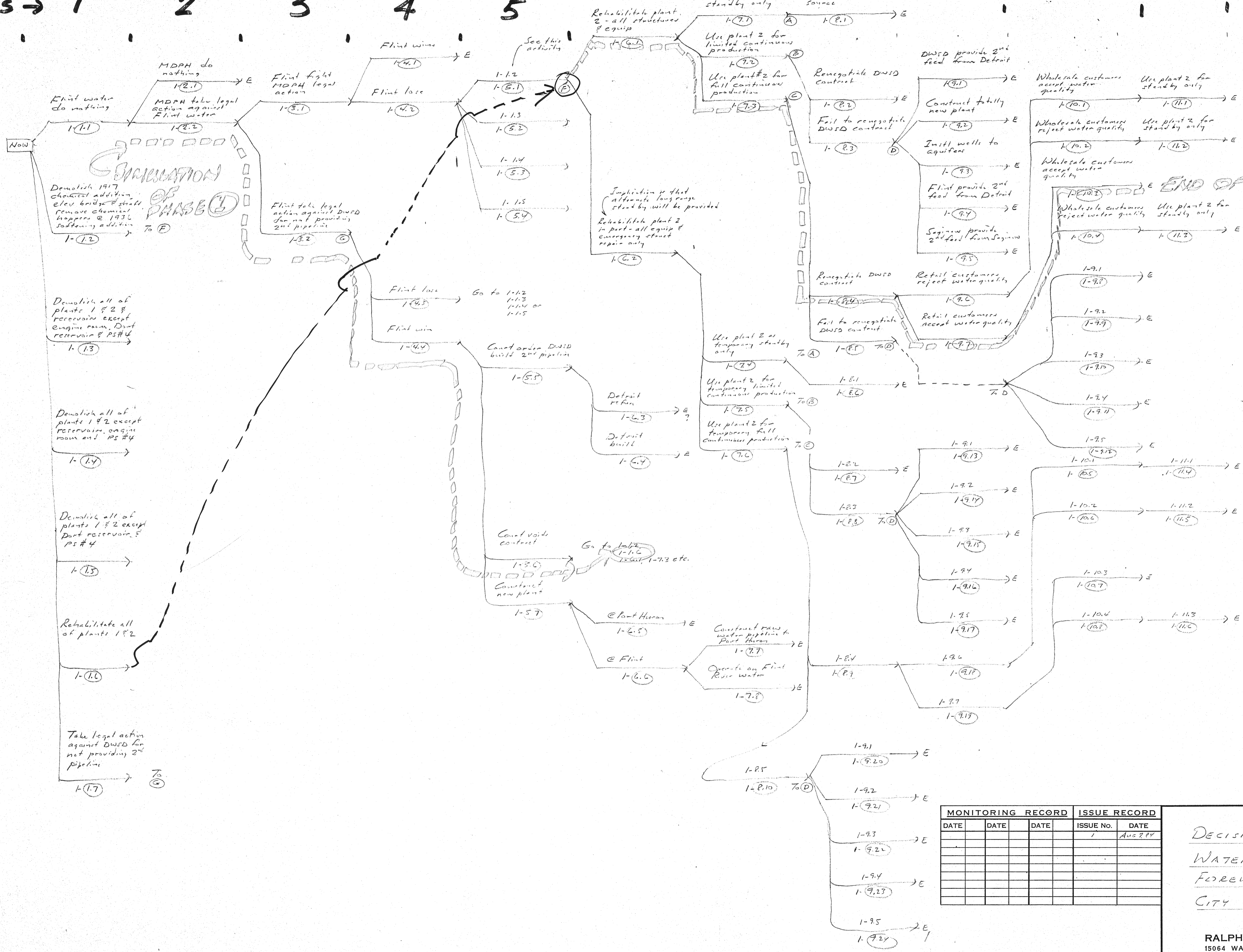
DECISION TREE FOR FLINT
WATER TREATMENT PLANT
FOREWARD PLANNING
CITY OF FLINT, MICHIGAN

RALPH J. STEPHENSON, P.E.
 15064 WARWICK ROAD
 DETROIT, MICHIGAN 48223
 CONSULTANT PH 273-5026

JB

MULTI-COLOR 250 1-84 7754P

COLS → 1 2 3 4 5 6 7 8 9 10 11



PHASE #2 PLANT EXPANSION
 • New H/B Pumps
 • New FILTER ROOM
 • New Admin & SHOP OPS CENTER
 • New TRANSFER PUMP STATION

PHASE #3 LAKE HURON SUPPLY
 INTAKE PIPELINE & CRIB
 PIPELINE
 BOOSTER STATION

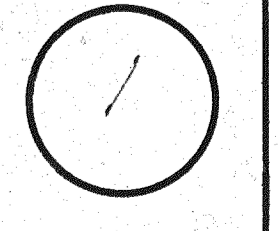
32 E pumps for 1-112
 Have 3 1-112 branches
 3 x 32" 74
 Have 7 other branches off 1-111
 Total capacity of action 1-112
 8/7/14 Flint Jan W &
 RMB print of this sheet

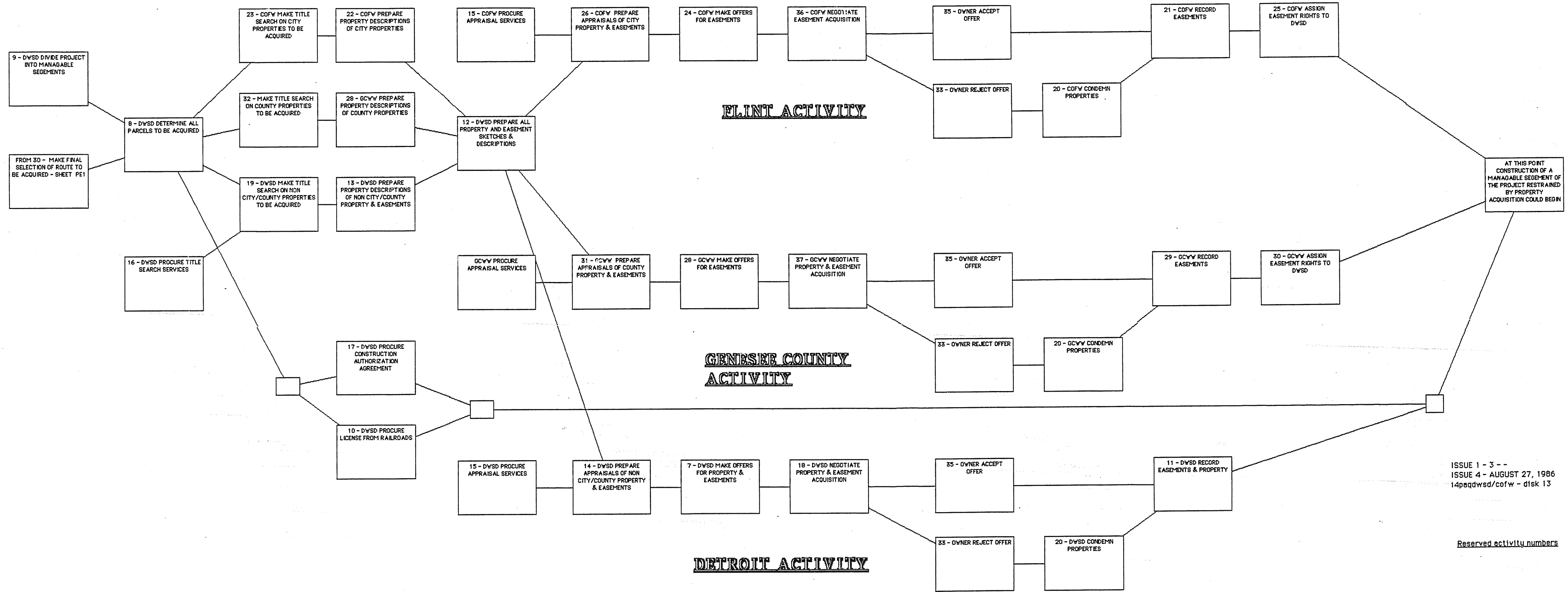
84:26

MONITORING RECORD			ISSUE RECORD	
DATE	DATE	DATE	ISSUE No.	DATE
			1	AUG 22 2014

DECISION TREE FOR FLINT
 WATER TREATMENT PLANT
 FORWARD PLANNING
 CITY OF FLINT, MICHIGAN

RALPH J. STEPHENSON, P.E.
 15064 WARWICK ROAD
 DETROIT, MICHIGAN 48223
 CONSULTANT PH 273-5026



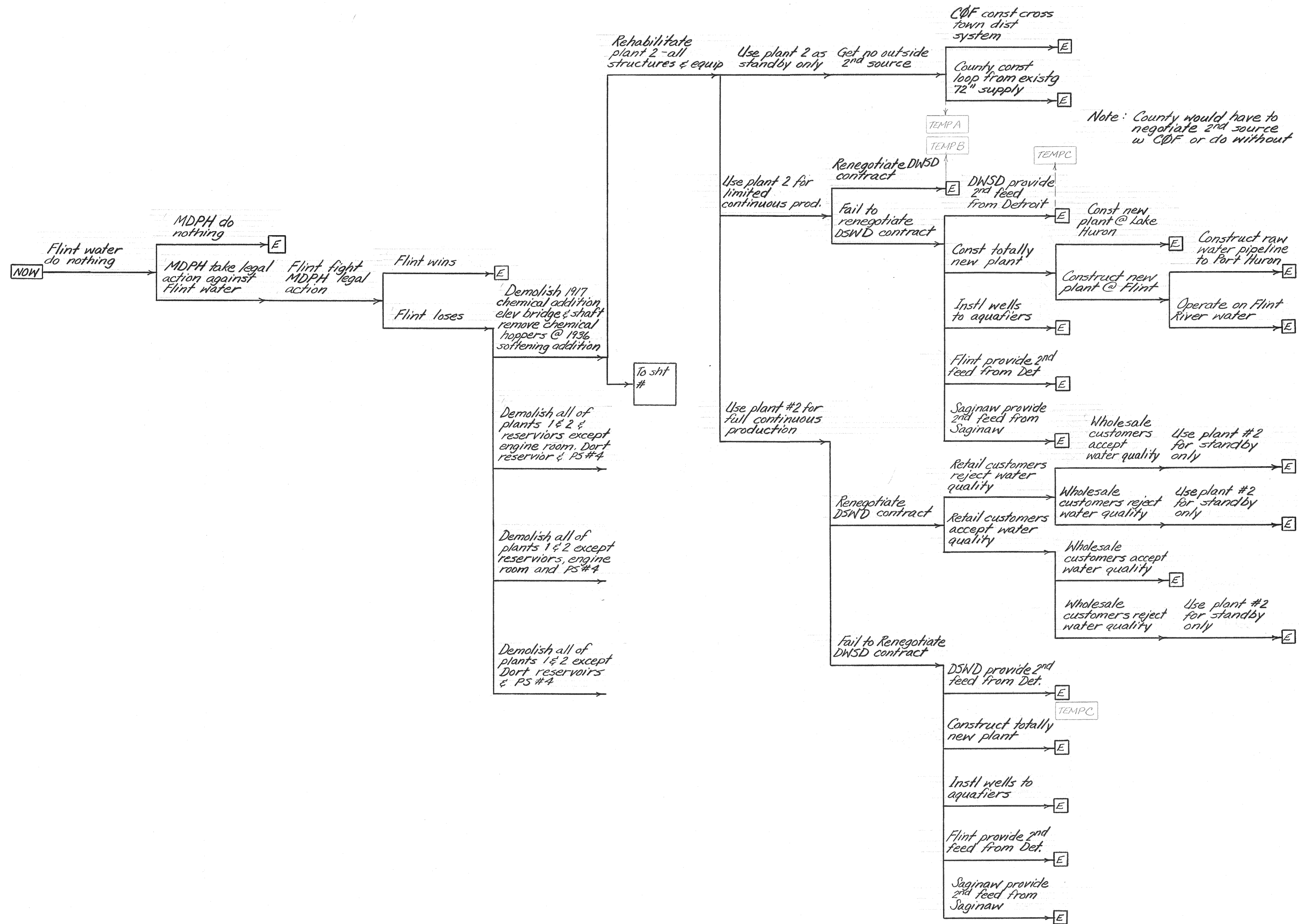


ISSUE 1 - 3 - -
 ISSUE 4 - AUGUST 27, 1986
 14paqdwsc/cofw - disk 13

Reserved activity numbers

NETWORK MODEL FOR FLINT/DETROIT LOOP - PROPERTY ACQUISITION ACTIVITIES - COFW, DWSD & GCWW

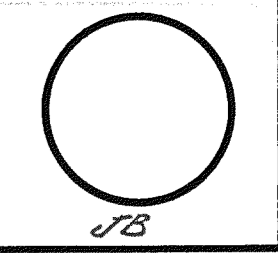
Ralph J. Stephenson PE PC
 Consulting Engineer
 15064 Warwick Road
 Detroit, Michigan 48223
 ph 313 273 5026

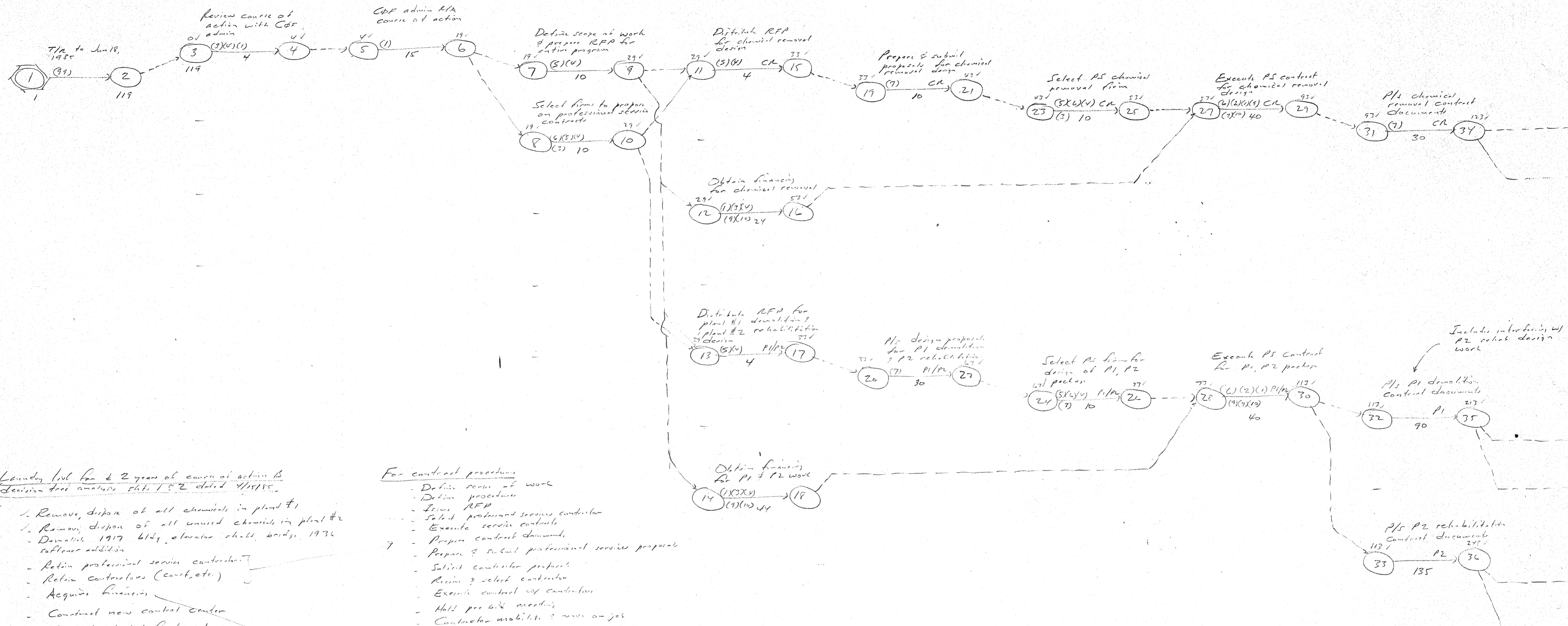


MONITORING RECORD			ISSUE RECORD	
DATE	DATE	DATE	ISSUE No.	DATE
			1	AUG 7, 84
			2	OCT 25, 84

DECISION TREE FOR FLINT
WATER TREATMENT PLANT
FORWARD PLANNING
CITY OF FLINT, MICHIGAN

RALPH J. STEPHENSON, P.E.
 15064 WARWICK ROAD
 DETROIT, MICHIGAN 48223
 CONSULTANT PH 273-5026





Leaving out for 2 years of course of action B
Decision tree analysis sheets 1 & 2 dated 4/15/85

- For three-year contract awarded
- Remove, dispose of all chemicals in plant #1
 - Remove, dispose of all unused chemicals in plant #2
 - Demolish 1917 bldg, elevator shaft, bridge, 1936 softener addition
 - Retain professional service contractor
 - Retain contractors (cont., etc.)
 - Acquire financing
 - Construct new control center
 - Remove chemical feed system
 - Remove treatment equs
 - Flocculation
 - Clarification
 - Sludge pump
 - Sludge loss
 - Remove sand filters
 - Filter structure
 - Filter media
 - Controls
 - Valves
 - Rate controllers
 - Treatment tank L&M, R&F
 - Surfactant
 - Work water system
 - Work water retaining system
 - Design on disposition of sludge deposit beds
 - Do structural renovation of plant #2
 - Complete phase 3 roofing (in progress)
 - Remove sanitary systems
 - Heating
 - Cooling
 - Lighting
 - Sanitary
 - Storm
 - Complete clean & remove & paint elevated tank
 - Repair roof at Dark reservoir
 - Inspect & recommend roof renovation scup @ west reservoir
 - Rehabilitate distribution system as recommended
 - Repair Cedar reservoir roof

- For contract procedures
- Define scope of work
 - Define procedure
 - Issue RFP
 - Select professional service contractor
 - Execute service contracts
 - Prepare contract documents
 - Prepare & submit professional service proposals
 - Select contractor proposals
 - Review & select contractor
 - Execute contract w/ contractor
 - Hold pre bid meeting
 - Contractor mobilize & start on job

- For financing
- Select method of financing
 - Revenue bonds
 - General obligation bonds
 - Count ordered bond
 - Public financing
 - State infrastructure loan
 - Privatization
 - Capital funding
 - Private grants
 - Federal grants

- Rehabilitate pipeline flow control valves

MONITORING RECORD			ISSUE RECORD	
DATE	DATE	DATE	ISSUE No.	DATE
			1	JUN 21 1985

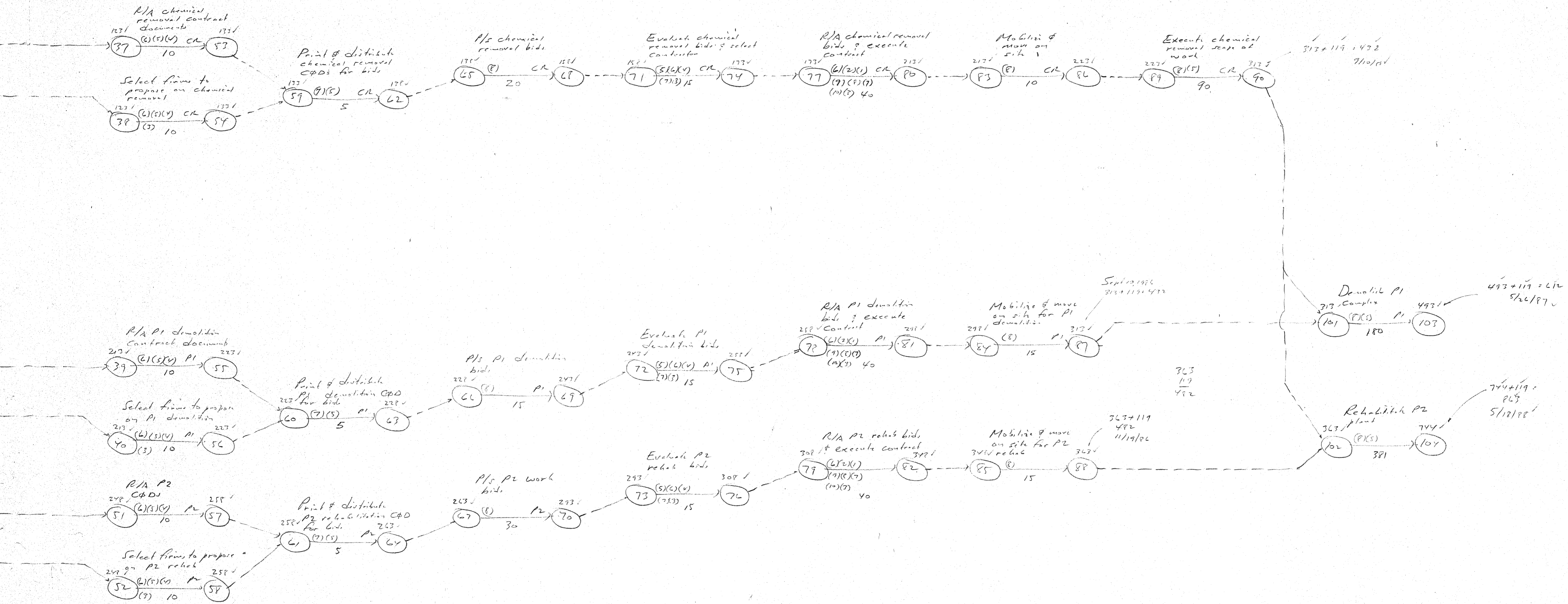
Reserve Note No.

LW / HN

SUMMARY NETWORK MODEL
FOR FLINT WATER PLANT
DEMOLITION & REHABILITATION
COURSE OF ACTION B
FLINT, MICHIGAN

RALPH J. STEPHENSON, P.E.
15064 WARWICK ROAD
DETROIT, MICHIGAN 48223
CONSULTANT PH 273-5026

B
S-1



Responsibility Codes

- 99 Time restraint
- 1 COF Mayor's office (Major & R. Collier)
- 2 COF Council
- 3 DPW Dept (Ken Collins)
- 4 COF Water & Pollution Control Div (Bill Ewins)
- 5 John Wessinkersen & staff
- 6 COF purchasing dept
- 7 Unidentified professional service firms
- 8 Unidentified contractors
- 9 COF legal dept
- 10 COF finance

Abbreviations

- T/R Time restraint
- CAF City of Flint
- RFP Request for proposal
- PSF Professional services firm
- PS Professional services
- CR Chemical removal
- P/S Prepare & submit
- CPD Contract documents
- P1 Plant #1
- P2 Plant #2

MONITORING RECORD			ISSUE RECORD	
DATE	DATE	DATE	ISSUE No.	DATE
			1	6/27/85

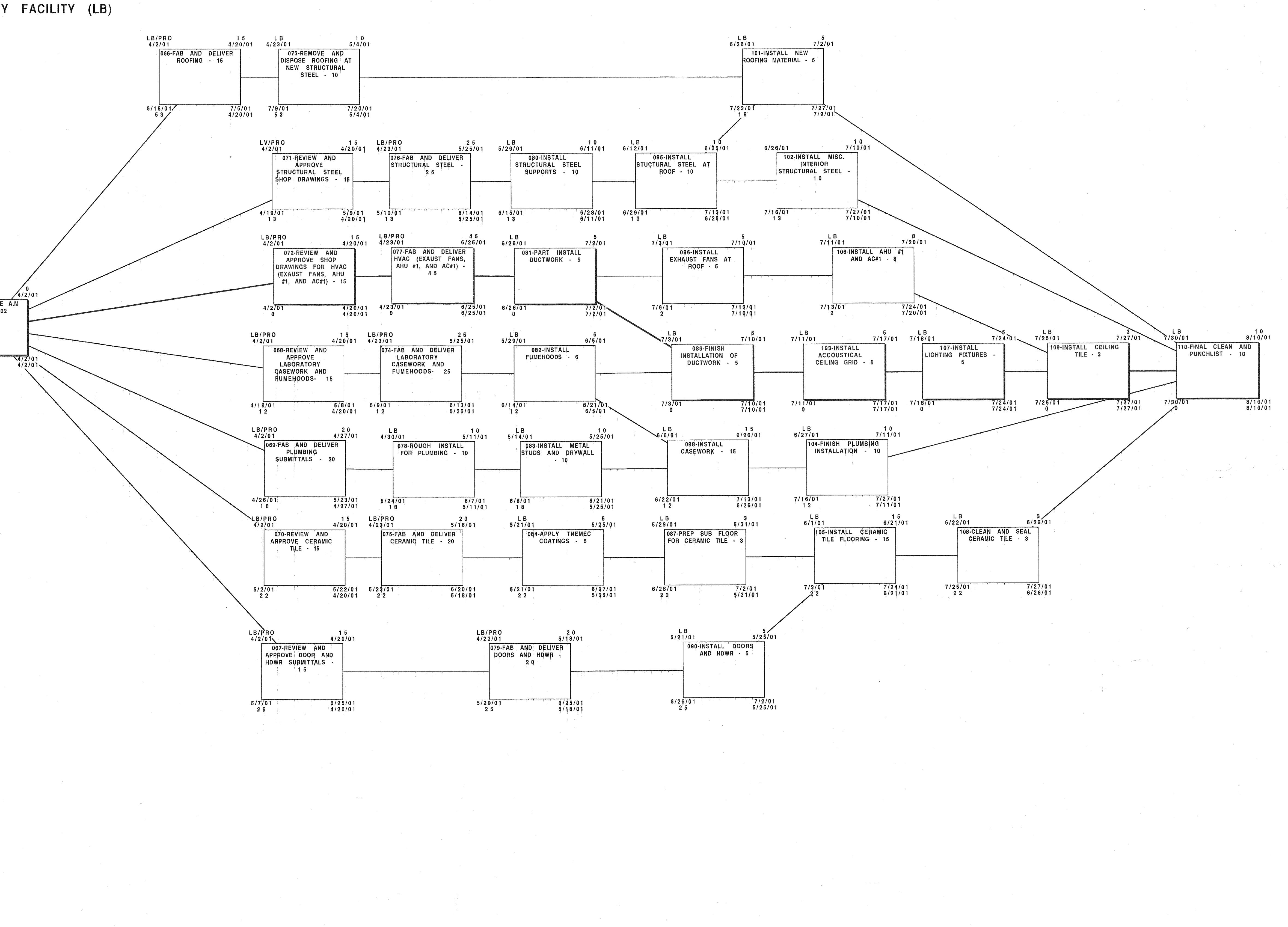
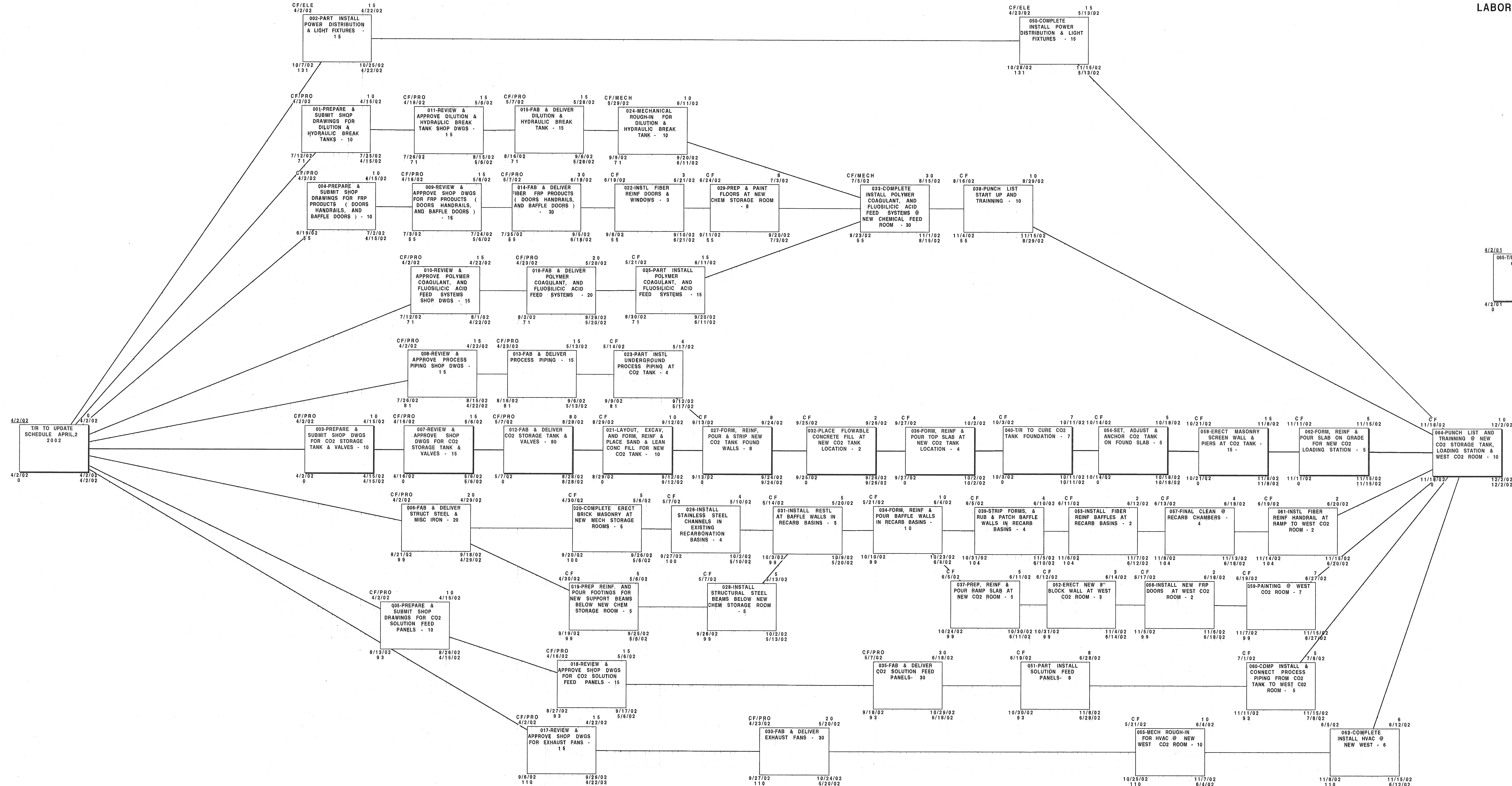
Reserved for later

LN
HN

SUMMARY NETWORK MODEL
FOR FLINT WATER PLANT
DEMOLITION & REHABILITATION
COURSE OF ACTION B
FLINT, MICHIGAN

RALPH J. STEPHENSON, P.E.
15064 WARWICK ROAD
DETROIT, MICHIGAN 48223
CONSULTANT PH 273-5026

B
5-2



Network Model for City of Flint Water Treatment Plant

Sorensen Gross Construction Company, Inc.
 3407 N. Torrey Road, P.O. Box 7718
 Flint, Michigan, 48507
 Phone 510-767 4821

Richard Sly - President
 Richard Taylor - Field Superintendent
 Dustin Hemmes - Project Manager

Ralph J Stephenson, P.E.
 Consulting Engineer
 525 Hawthorn Drive
 Mt. Pleasant, Michigan 48858-9096
 Phone 989-772 2537

