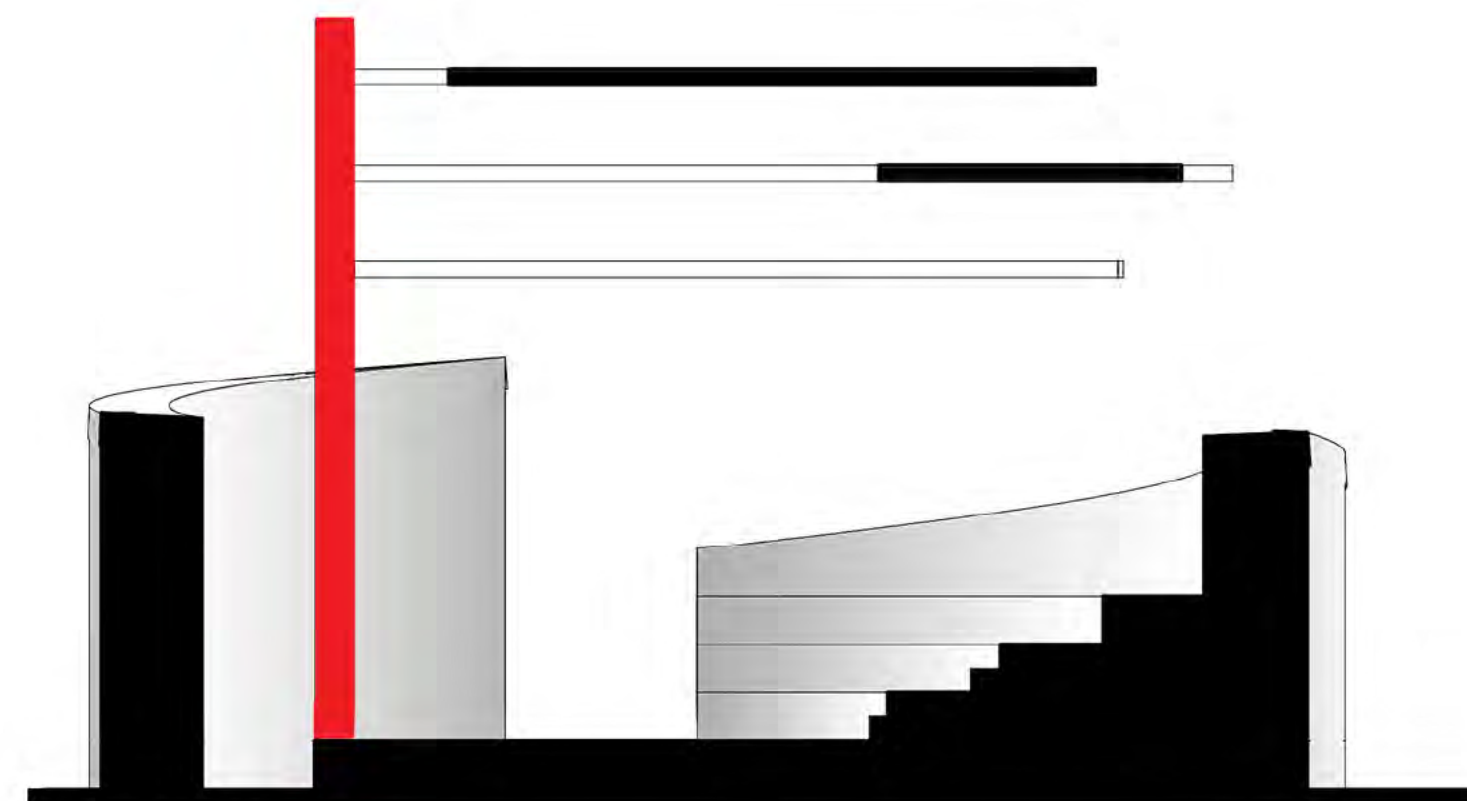


FLOOR PLAN
SCALE: 1/4" = 1'-0"

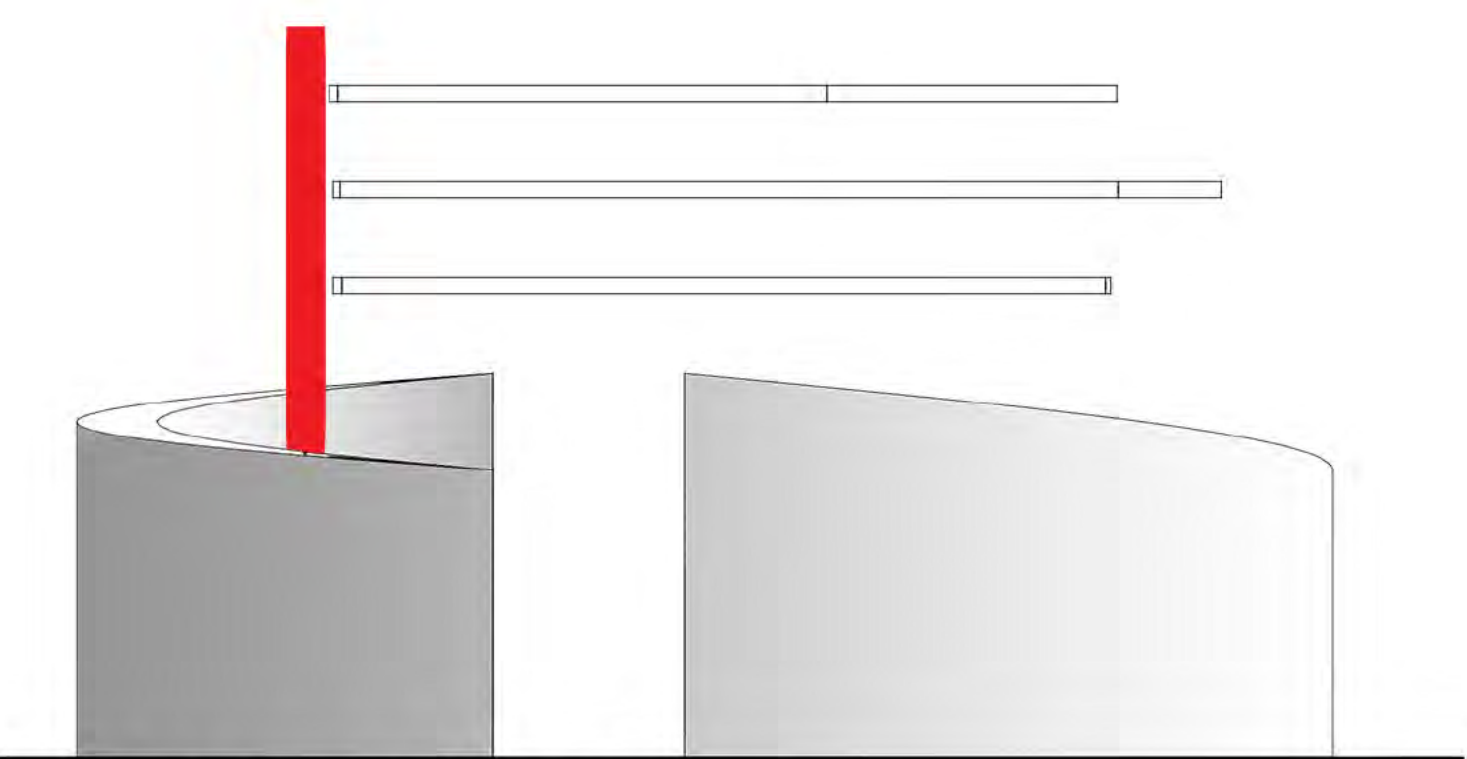
OUTDOOR CLASS ROOM

ARCH 341 ARCHITECTURAL DESIGN
FERRIS STATE UNIVERSITY FALL - 2013
PROFESSOR D. NAGELKIRK
JARED DEVISSER

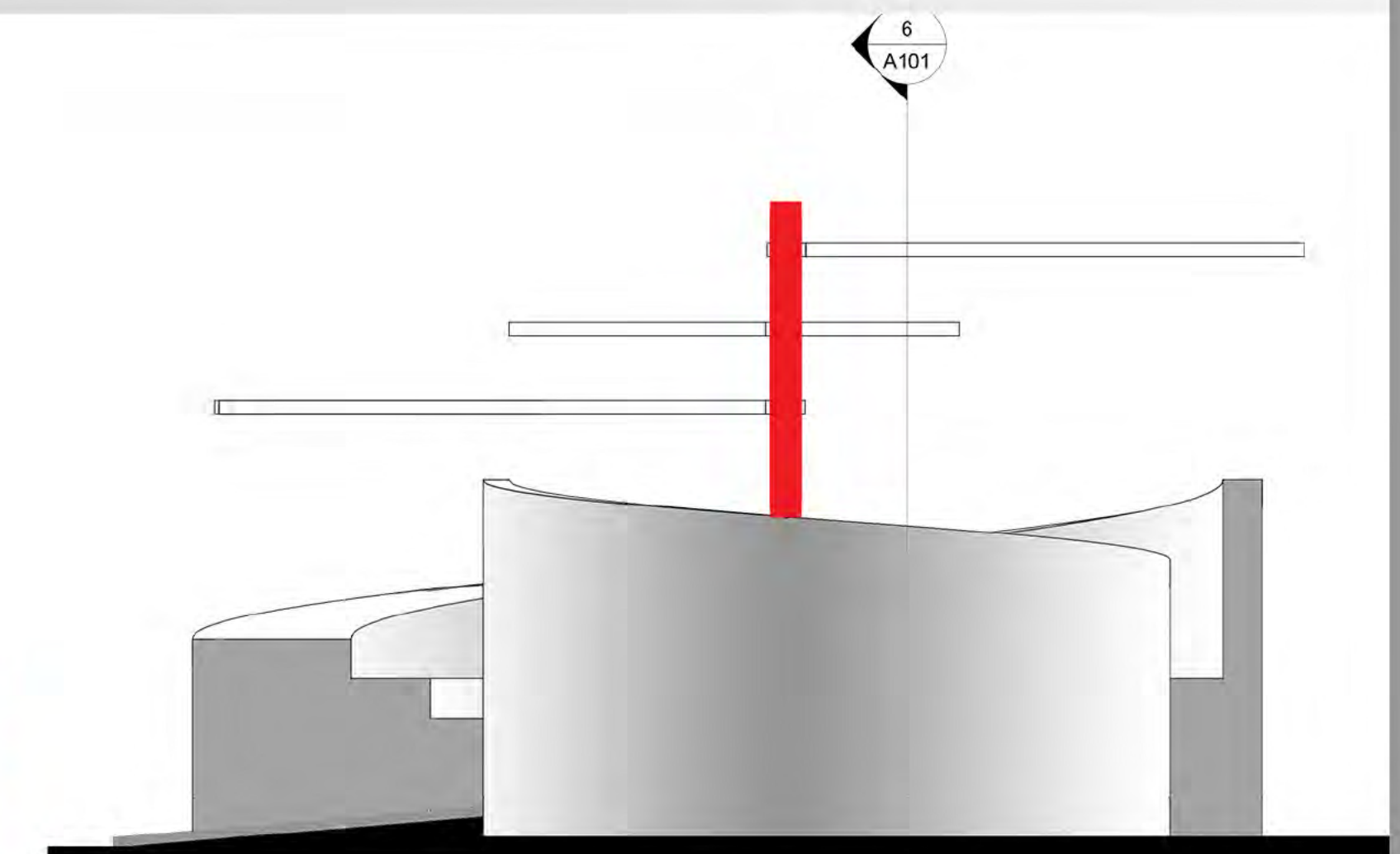
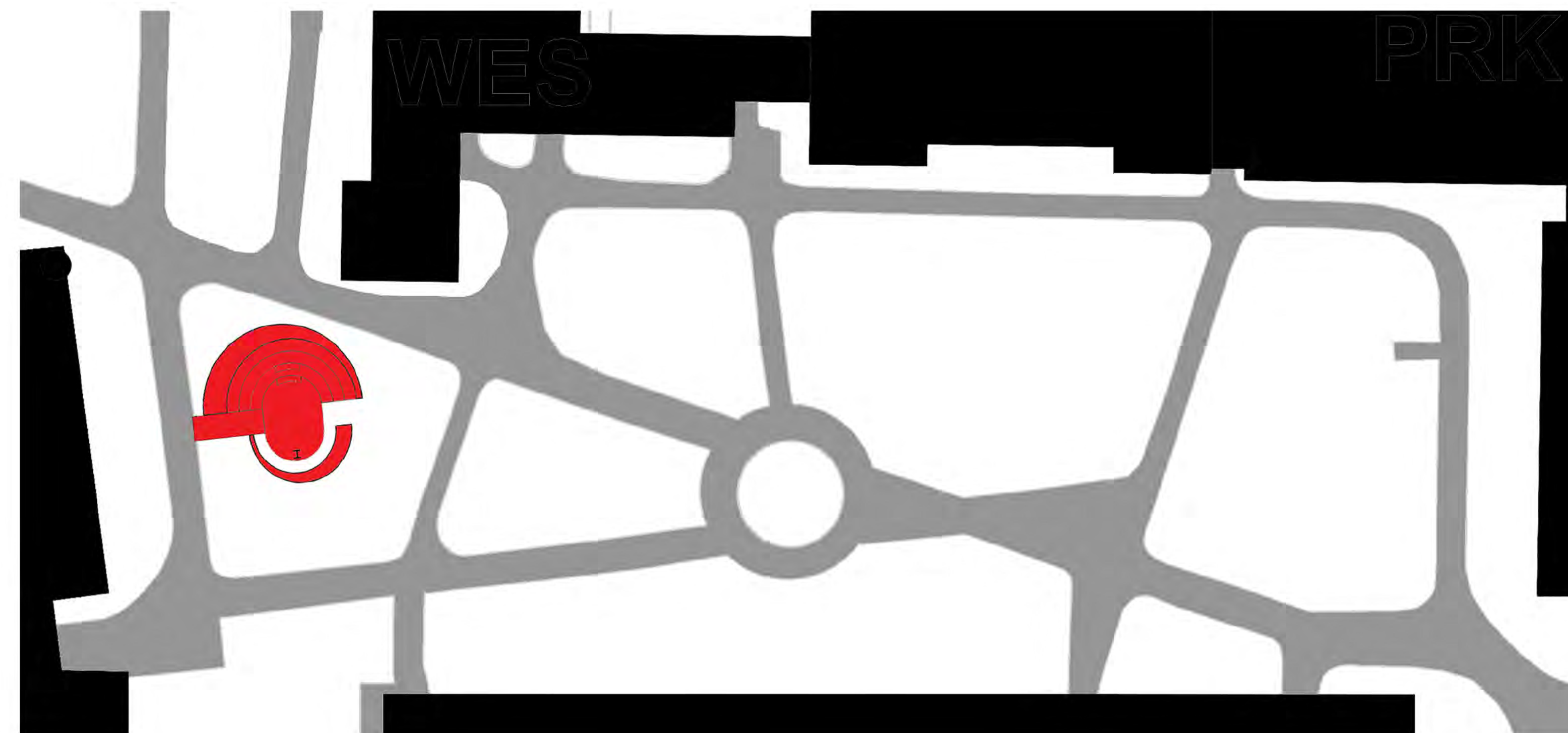
This projects goal was to integrate an outdoor classroom within an already existing outside space that complimented the structures and teaching that surrounded the space. This new outdoor structure was placed in a way to make use of sound and traffic of the already existing sidewalks while not disturbing the space. The original designed stems from a coliseum/amphitheater. The concept of the walls surrounding the classroom come from the impact of squeezing a wide wall forcing it to grow upwards as it surrounds the space. The opposing walls provide a contrast shape to the structure that moves the eye throughout the building.



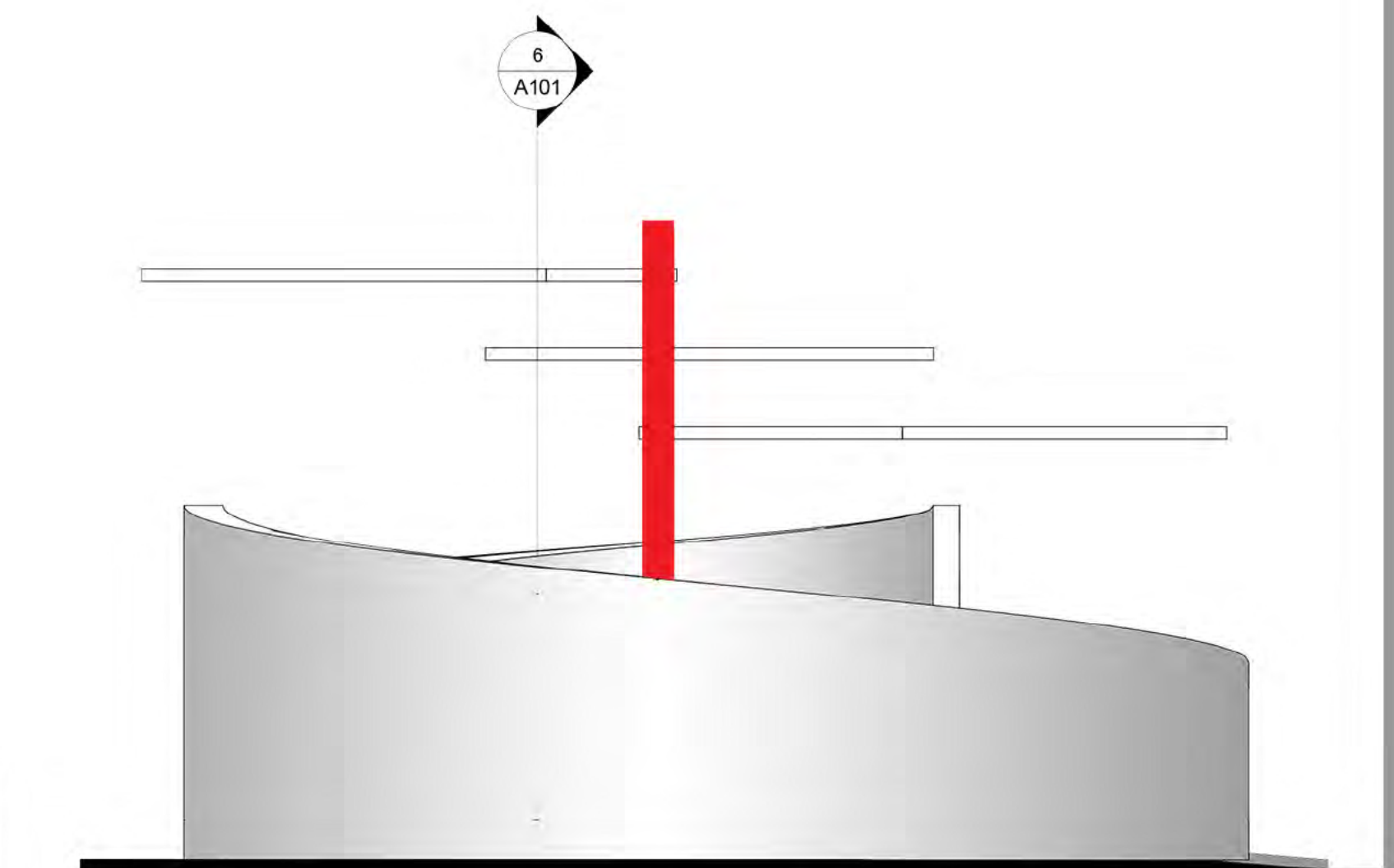
SECTION
SCALE: 1/4" = 1'-0"



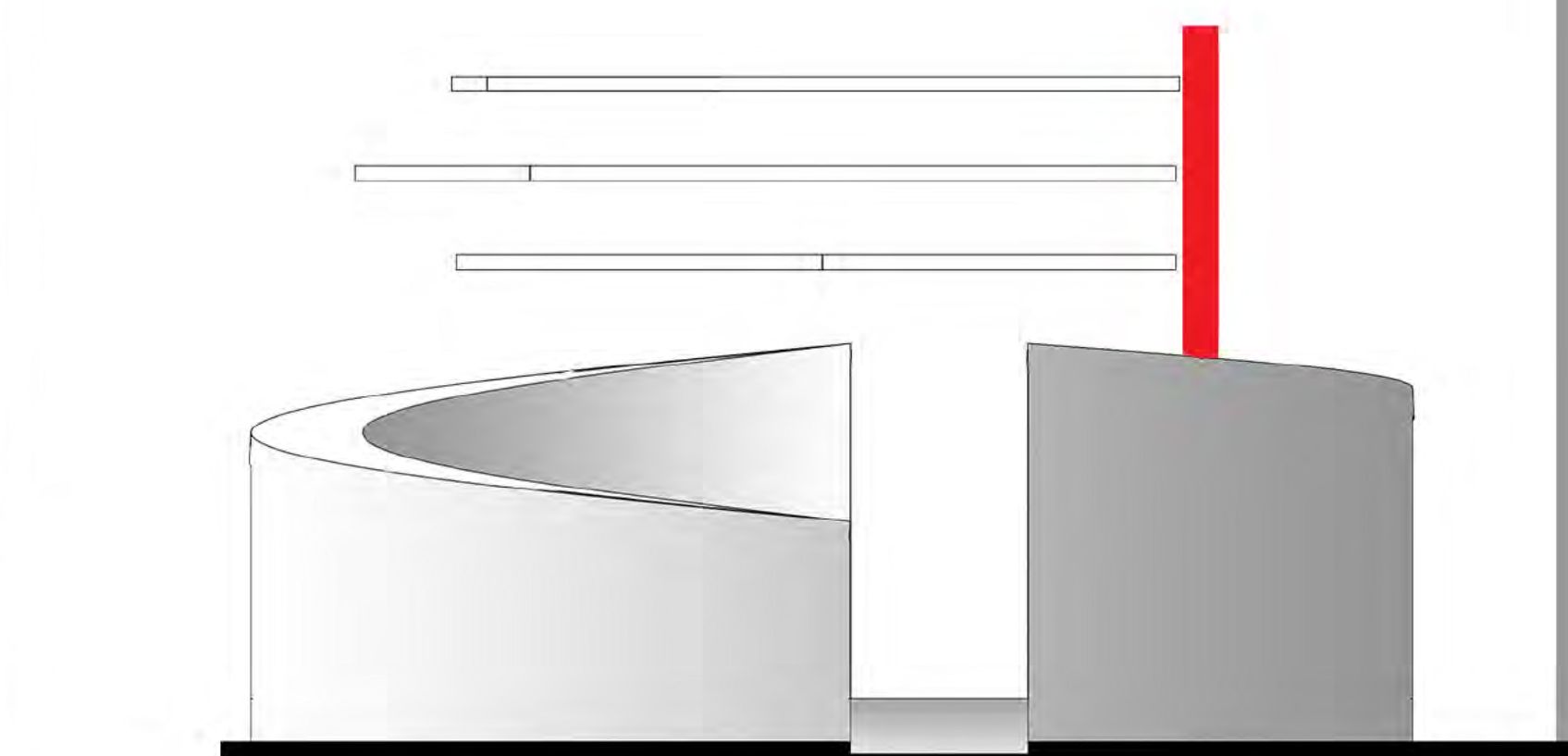
EAST ELEVATION
SCALE: 1/4" = 1'-0"



SOUTH ELEVATION
SCALE: 1/4" = 1'-0"



NORTH ELEVATION
SCALE: 1/4" = 1'-0"



WEST ELEVATION
SCALE: 1/4" = 1'-0"